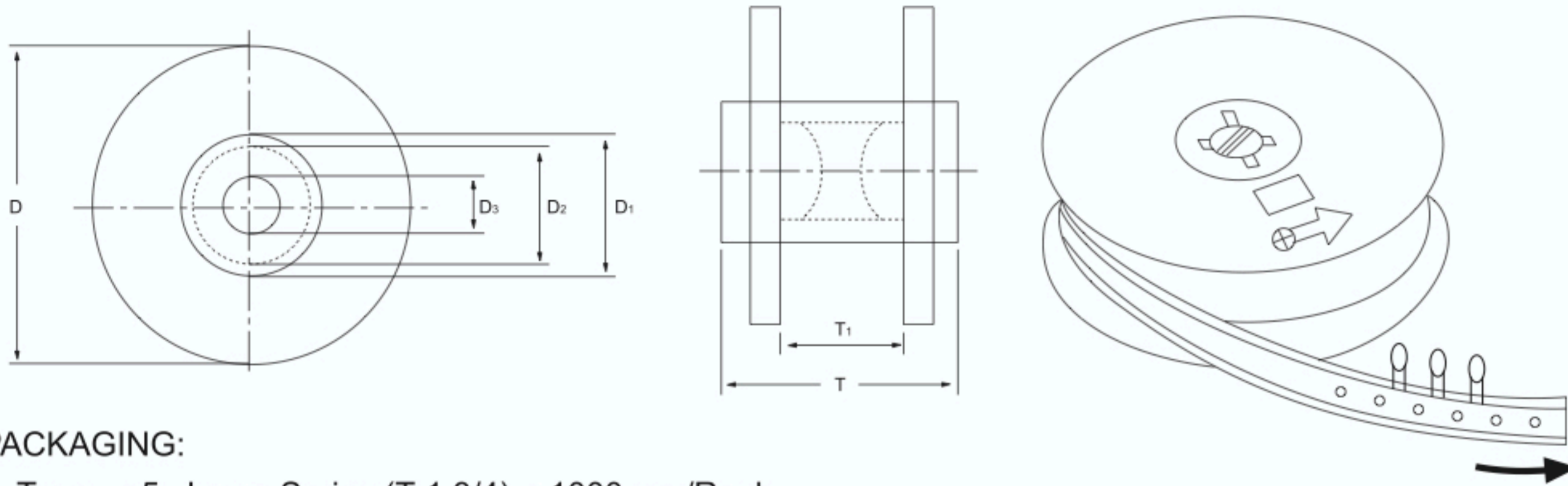


TAPED LED LAMP

REEL TYPE:

ITEM	SYMBOL	SPECIFICATION			
		Minimum		Maximum	
		mm	inch	mm	inch
Reel Diameter	D	78.20	3.079	380.00	14.960
Core Diameter	D1	34.90	1.374	102.00	4.016
Hub Recess Inside Diameter	D2	28.60	1.126	88.00	3.465
Arbor Hole Diameter	D3	13.80	0.543	38.10	1.500
Overall Reel Thickness	T	-	-	57.20	2.252
Inside Reel Flange Thick	T1	30.00	1.181	50.00	1.969

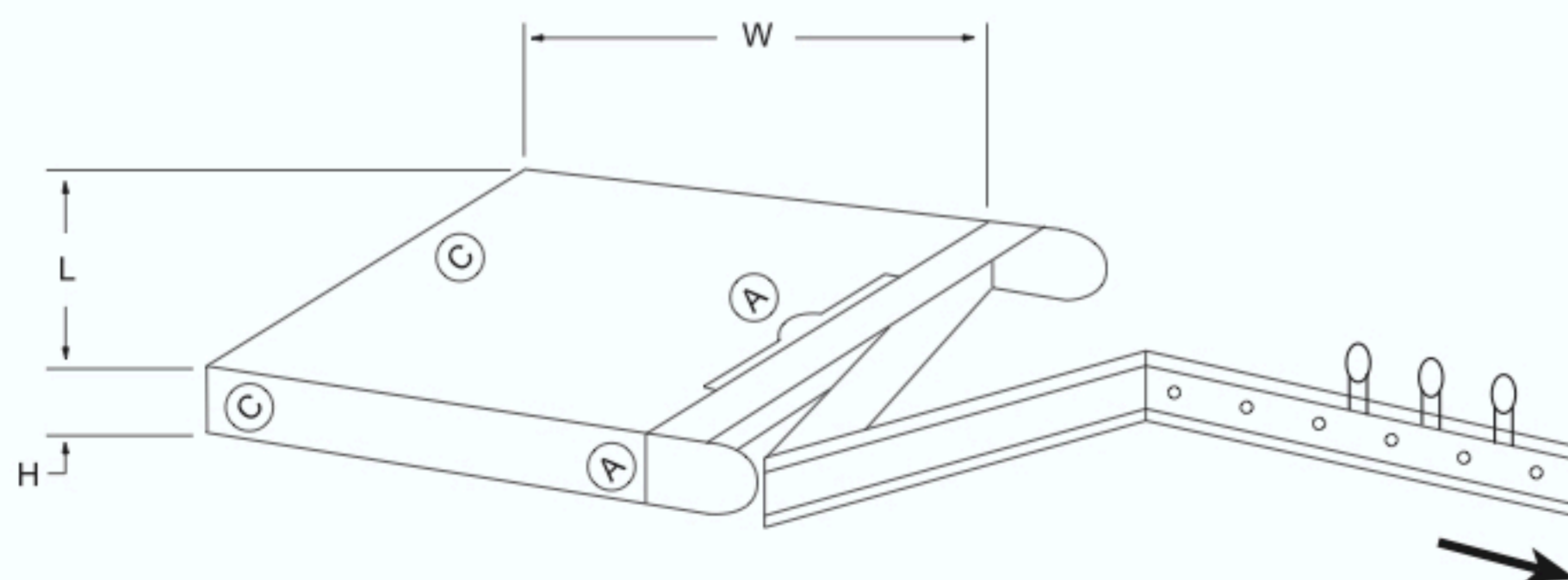


PACKAGING:

1. Type $\phi 5$ Lamp Series (T-1 3/4) =1000 pcs/Reel.
2. Type $\phi 3$ Lamp Series (T-1) =2000 pcs/Reel.
3. Type 2X5 Lamp Series =2000 pcs/Reel.

BOX TYPE:

ITEM	SYMBOL	SPECIFICATION			
		Minimum		Maximum	
		mm	inch	mm	inch
Overall Length	L	325.00	12.8	340.00	13.40
Overall Width	W	245.00	9.65	276.00	10.87
Overall Thickness	H	50.00	1.97	60.00	2.36

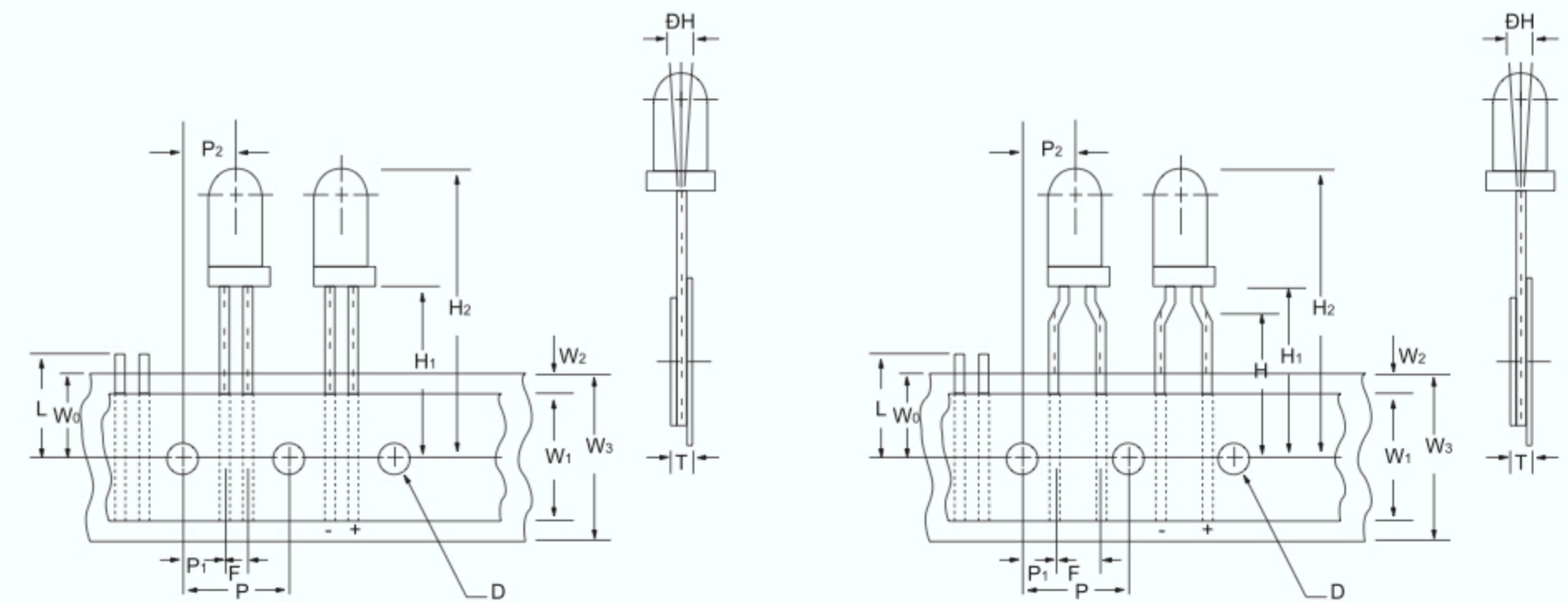


PACKAGING:

1. Type $\phi 5$ Lamp Series (T-1 3/4) =2000 pcs/Box.
2. Type $\phi 3$ Lamp Series (T-1) =2500 pcs/Box.
3. Type 2X5 Lamp Series =2500 pcs/Box.

TAPED LED LAMP

ITEM	SYMBOL	SPECIFICATION				
		Minimum		Maximum		
		mm	inch	mm	inch	
Tape Feed Hole Diameter	D	3.80	0.149	4.20	0.165	
Component Lead Pitch	F	Straight Leads		2.30	0.091	
		Preformed Leads		4.80	0.188	
Front To Rear Deflection	ΔH	-	-	2.00	0.078	
Feed Hole To Seating Plane	H	14.50	0.571	15.50	0.610	
Feed Hole To Bottom of Component	Straight Leads	TxS18x	17.50	0.689	18.50	0.728
		TxS22x	21.50	0.846	22.50	0.886
		TxS26x	25.50	1.004	26.50	1.043
	Preformed Leads	TxF18x	17.50	0.689	19.50	0.767
		TxF20x	19.00	0.748	21.00	0.826
		TxF23x	22.50	0.886	24.50	0.965
Feed Hole To Overall Component	H ₂	-	-	32.00	1.259	
Lead Length After Component Height	L	W ₀		11.00	0.433	
Feed Hole Pitch	P	12.40	0.488	13.00	0.511	
Lead Location	P ₁	Straight Leads		4.40	0.173	
		Preformed Leads		3.15	0.124	
Center Of Component Location	P ₂	5.05	0.198	7.56	0.301	
Overall Taped Package Thickness	T	-	-	1.42	0.056	
Feed Hole Location	W ₀	8.50	0.334	9.75	0.384	
Adhesive Tape Width	W ₁	14.50	0.571	15.50	0.610	
Adhesive Tape Position	W ₂	0	0	4.00	0.157	
Tape Width	W ₃	17.50	0.689	19.00	0.748	



TxSxxx (2.54 PITCH STRAIGHT LEADS)

TxFxxx (5.08 PITCH PREFORMED LEADS)

NOTES:

1. The permission of fallen off is with continous 3 pcs.
2. The edge of the tape has the space longer than at least 4 LEDS.